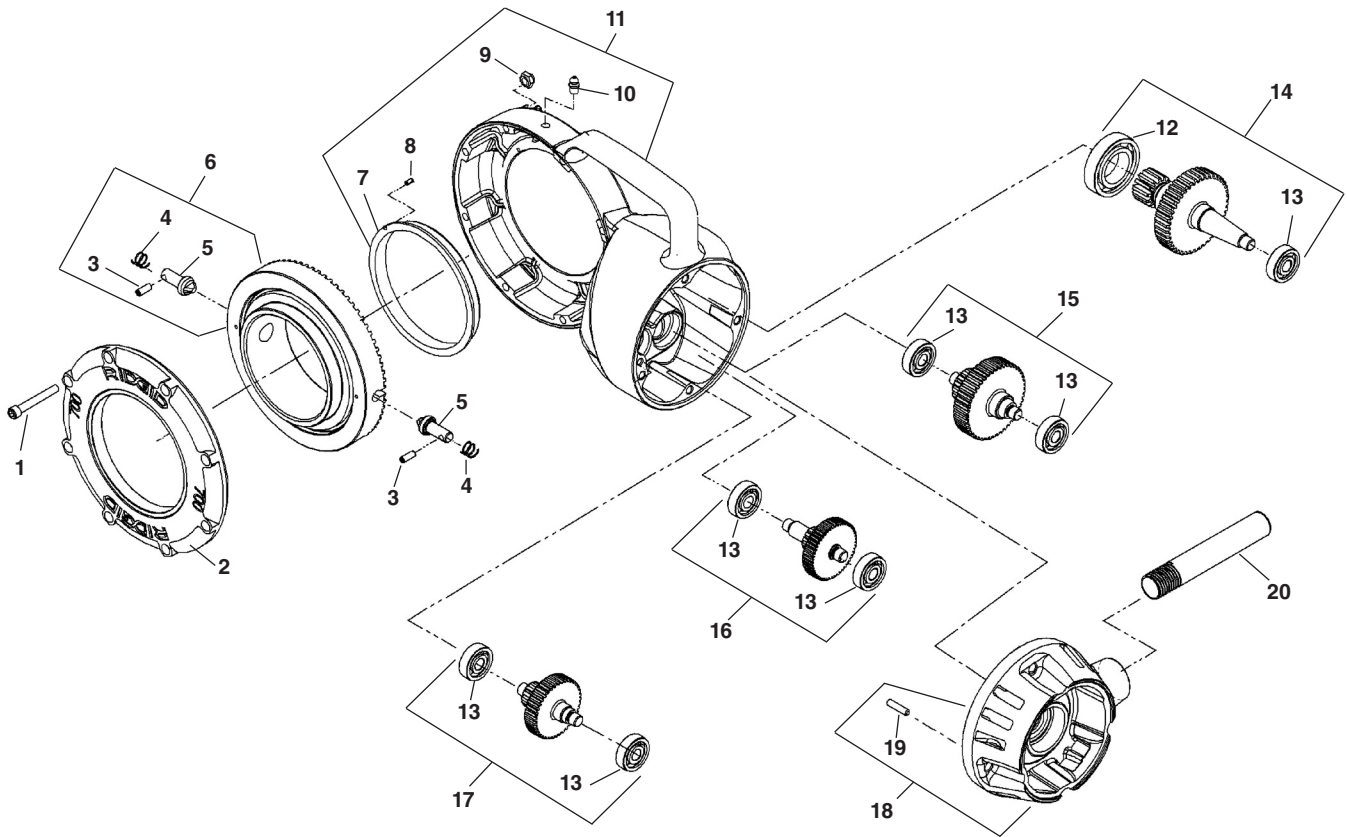


### Gearhead Components

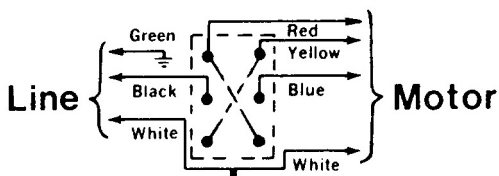


**NOTE: Order parts by Catalog Number only.  
DO NOT order by Reference Number.**

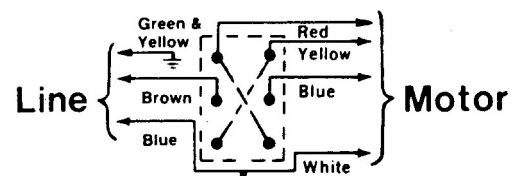
Ref. No.	Catalog No.	Description	Ref. No.	Catalog No.	Description
1	46775	Screw (8)	12	76562	Bearing
2	43345	Cover	13	45060	Bearing (7)
3	32475	Spring Pin (2)	14	44900	4th Gear Assembly
4	44915	Spring (2)	15	44830	3rd Gear Assembly
5	44910	Adapter Pawl (2)	16	44820	1st Gear Assembly
6	43395	Face Gear Assembly	17	44825	2nd Gear Assembly
7	44060	Bearing	18	45165	Dowel Pin
8	89085	Roll Pin 1/8" x 1/4"	19	43335	Fan Housing Assembly
9	83890	Lock Nut (8)	20	46615	Torque Arm
10	46860	Grease Fitting			
11	42970	Gear Case Assembly (Includes Ref. No. 1)			

### Wiring Diagram (115/230V)

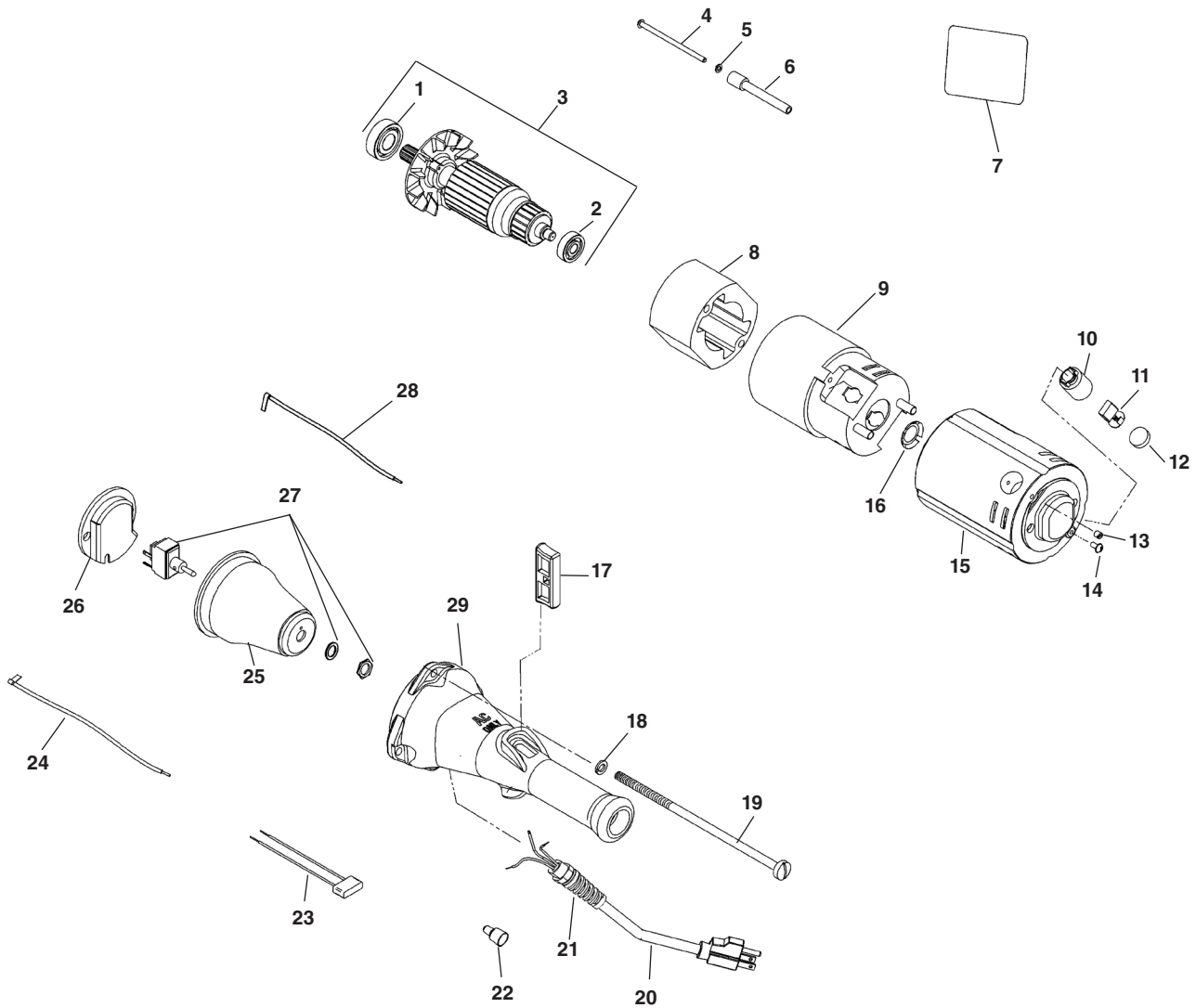
#### Standard Color Code



#### European Color Code



**Electrical Components – Type 2**



**NOTE: Order parts by Catalog Number only.  
DO NOT order by Reference Number.**

Ref. No.	Catalog No.	Description	Ref. No.	Catalog No.	Description
1	44565	Bearing	18	40770	Lock Washer (4)
2	44760	Bearing	19	44785	Tie Bolt (4)
3	44055	Armature Assembly 115V	20	31938	Power Cord 115V w/Molded Strain Relief
	18596	Armature Assembly 230V		31943	Power Cord 230V w/Molded Strain Relief
4	18486	Field Mounting Screw (2)		18666	Power Cord 230V (Europe Export)
5	58542	Lock Washer (2)		45022	Power Cord 115V (U.K. Export)
6	18566	Field Screw Sleeve (2)		15692	Power Cord 230V (Australia Export)
7	27418	Warning Decal	21	29788	Strain Relief (Export Models)
8	27408	Field 115V Type 2	22	44635	Wire Nut
	27413	Field 230V Type 2	23	18406	Suppressor (230V Europe)
9	18506	Field Insulator Sleeve	24	44880	Brush Lead - Blue
10	44795	Brush Holder (2)	25	43390	Switch Insulator
11	44815	Brush Assembly (2)	26	27403	Motor Housing Insulator
12	45660	Brush Cap (2)	27	44905	Switch
13	39770	Set Screw (2)	28	44885	Brush Lead - White
14	45420	Ground Screw	29	27398	Handle Type 2
15	18676	Motor Housing Assy. (Includes Ref. Nos. 9, 10, 12 and 13)			
16	44790	Load Spring			
17	97260	Switch Button			